

# L1L2-S2GRA-1 RA-1 Remote Antenna

## KEY FEATURES

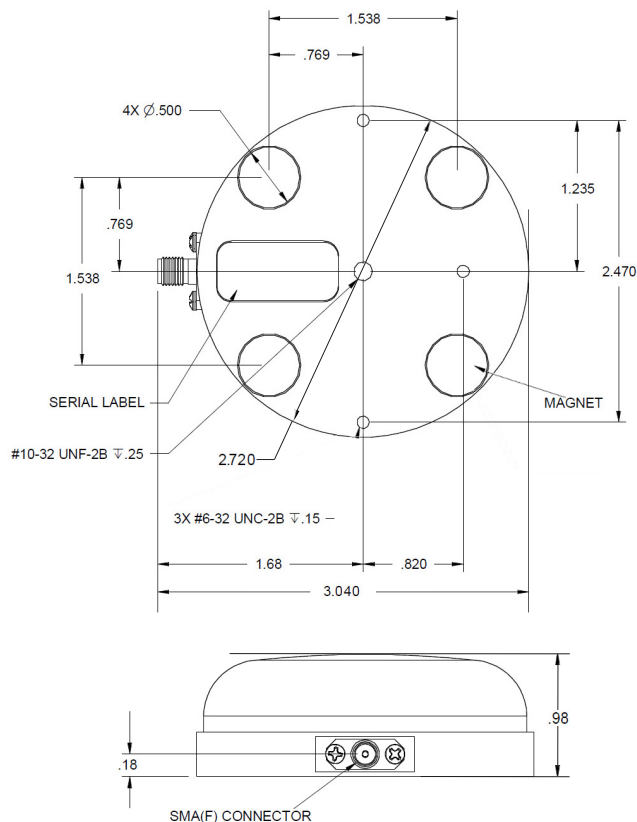
- » Designed Specifically for Operation with the Defense Advanced GPS Receiver (DAGR)
- » L1/L2 Dual Band
- » High Out-of-Band Rejection
- » Spec Compliant Performance over Entire Environmental and Voltage Range
- » Multiple Color Options: White, Olive Green, Black, Tan
- » Flush Magnet Mount Designed to Handle Force up to 20Gs or Bolt Pattern for Attachment
- » Will Work with DAGR

## INTRODUCTION

The L1L2-S2GRA-1 is a dual band active L1/L2 GPS antenna that is specifically designed for operation with the US DoD DAGR military grade receiver. The L1L2-2GRA-1 is available with an SMA connector and various radome colors. It is compact, lightweight and water resistant.

## DURABLE, HI PRECISION, BUILT TO LAST

For surface mobility, the GPS Source Mil-Spec DAGR antenna offers exceptional performance with unsurpassed reliability. Designed to support the Warfighter, the portable, yet precise GPS L1/L2 DAGR antenna receives the L1 & L2 signals. It complies with all RA-1 & RA-2 electrical and environmental specifications.



[www.gpssource.com](http://www.gpssource.com)

Veteran Owned Small Business  
AS9100 & ISO 9001:2008 Certified  
CCR Registered  
CAGE: 1RTJ5  
DUNS: 883995677  
NAICS: 334220, 334290, 334511,  
541330, 541690

# L1L2-S2GRA-1 RA-1 Remote Antenna

## L1/L2 DAGR Mil Spec GPS Antenna

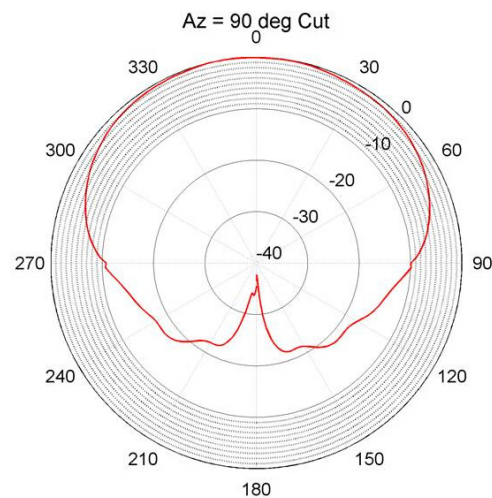
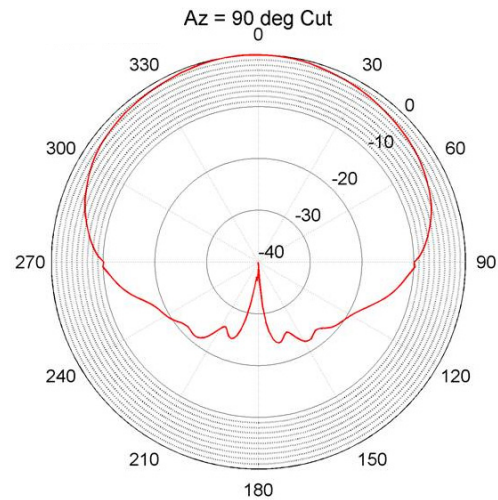
Operating Frequencies	L1 (1575.42MHz) Bandwidth +/- 15MHz L2 (1227.60MHz) Bandwidth +/- 15MHz
Polarization	RHCP
Element Gain (Active) at 4 ft G.P.	L1 3dBic min. L2 3dBic min.
Axial Ratio	2dB max
LNA Gain Output = 50Ω	L1: 30dB min. L2: 30dB min.
LNA DC Power	2.5 - 16 VDC (35 mA max)
Noise Figure	3dB max
LNA OP1dB Compression	8dBm
LNA OIP3	20dBm
Rejection @ +/- 50MHz (Active)	>12dB
Rejection @ +/- 100MHz (Active)	>42dB
Out Impedence	50Ω
SWR	2.0:1
Temperature	-54°C to 71°C
Altitude	50,000 ft

## Physical Specifications

Size	Diameter: 2.7" Height: .944"
Weight	6.4 oz
Base Finish	Iridite per Mil-C-5441
Connector	SMA Female

## Built to Military Specifications

Meets Mil Spec MIL-STD-810, MIL-C-5541, MIL-E-5400, MIL-1-45208A, MIL-STD-461, MIL-STD-1472, DO-160D



## ABOUT US

GPS Source is a 100% veteran owned, original equipment manufacturer (OEM) that designs, manufactures and sells high-precision GNSS/GPS technology for the Defense Industry.

[www.gpssource.com](http://www.gpssource.com)

