

L1L2-RA-1

RA-1 Remote Antenna

KEY FEATURES

- » Designed Specifically for Operation with the Defense Advanced GPS Receiver (DAGR)
- » L1/L2 Dual Band
- » High Out-of-Band Rejection
- » Spec Compliant Performance over Entire Environmental and Voltage Range
- » Multiple Color Options:
Gloss White, Olive Drab Green, Lusterless Black, Desert Sand, Lusterless Gray
- » Flush Magnet Mount Designed to Handle Force up to 20Gs or Bolt Pattern for Attachment
- » RA-1 Spec Compliant

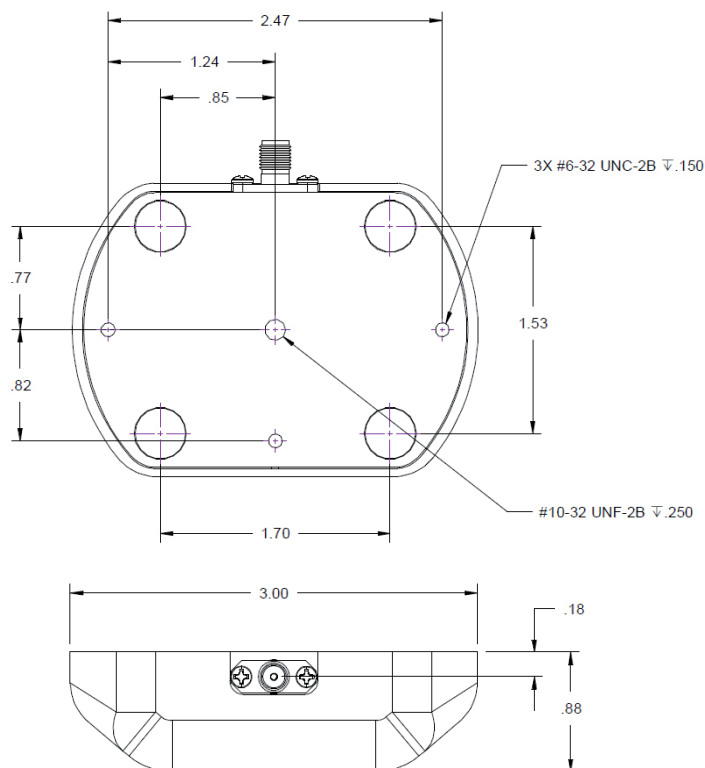
INTRODUCTION

The L1L2-RA-1 is a dual band active L1/L2 GPS antenna that is specifically designed for operation with the US DoD DAGR military grade receiver. The L1L2-RA-1 is available magnetic or hard mounted, with an SMA connector and various radome colors. It is compact, lightweight and water resistant.

DURABLE, HI PRECISION, BUILT TO LAST

For surface mobility, the GPS Source Mil-Spec DAGR antenna offers exceptional performance with unsurpassed reliability. Designed to support the Warfighter, the portable, yet precise GPS L1/L2 DAGR antenna receives the L1 & L2 signals. It can function as the helmet antenna and complies with all RA-1 electrical, mechanical, environmental and form factor specifications.

The L1L2-RA-1 antenna is equivalent and 100% compliant to NSN 5985-01-502-6692.



www.gpssource.com

Veteran Owned Small Business
AS9100 & ISO 9001:2008 Certified
CCR Registered
CAGE: 1RTJ5
DUNS: 883995677
NAICS: 334220, 334290, 334511,
541330, 541690

L1L2-RA-1

RA-1 Remote Antenna

RA-1 DAGR Mil Spec GPS Antenna

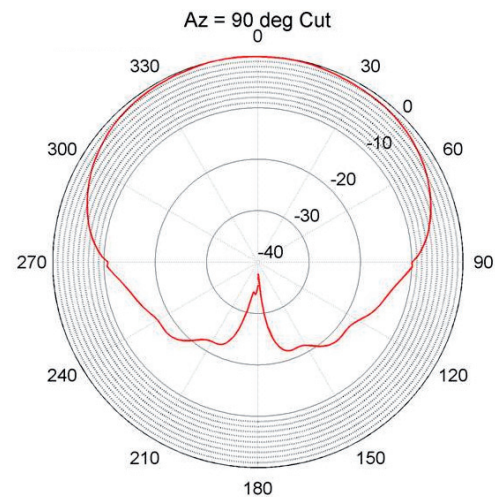
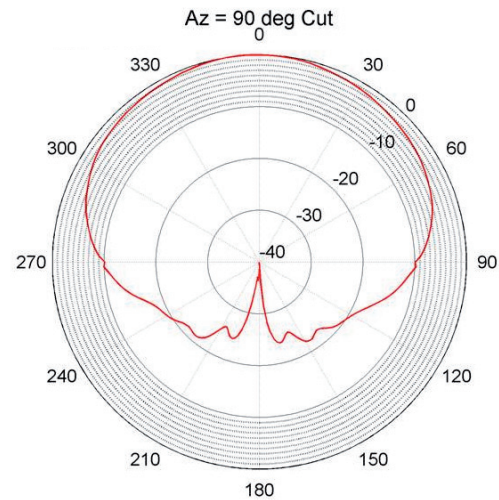
| | |
|------------------------------------|--|
| Operating Frequencies | L1 (1575.42MHz) Bandwidth +/- 15MHz L2 (1227.60MHz) Bandwidth +/- 15MHz |
| Polarization | RHCP |
| Element Gain (Active) at 4 ft G.P. | L1 3dBiC min. L2 3dBiC min. |
| Axial Ratio | 2dB max |
| LNA Gain Output = 50Ω | L1: 26dB typ. L2: 26dB typ. |
| LNA DC Power | 2.5 - 16 VDC (25 mA max) |
| Noise Figure | 3dB max |
| LNA OP1dB Compression | 8dBm |
| LNA OIP3 | 20dBm |
| Rejection @ +/- 50MHz (Active) | >12dB |
| Rejection @ +/- 100MHz (Active) | >42dB |
| Out Impedence | 50Ω |
| SWR | 2.0:1 |
| Temperature | -54°C to 71°C |
| Altitude | 50,000 ft |

Physical Specifications

| | |
|-------------|--|
| Size | 3" x 2.17" (76mm x 55mm) Height: .88" |
| Weight | 6.3 oz (180 g) |
| Base Finish | Iridite per Mil-C-5441 |
| Connector | SMA Female |
| Paint | Color per FED-STD-595B |

Built to Military Specifications

Meets Mil Spec MIL-STD-810, MIL-C-5541, MIL-E-5400, MIL-1-45208A, MIL-STD-461, MIL-STD-1472, DO-160D



ABOUT US

GPS Source is a 100% veteran owned, original equipment manufacturer (OEM) that designs, manufactures and sells high-precision GNSS/GPS technology for the Defense Industry.