

L1L2-2GA & L1L2-2GP

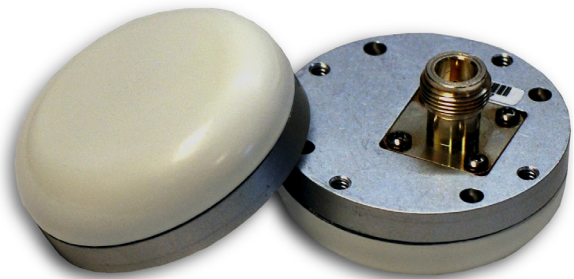
L1/L2 Active Antenna & L1/L2 Passive Antenna

KEY FEATURES

- » Designed for military and civilian applications
- » L1/L2 Dual Band
- » Waterproof
- » Excellent LNA gain
- » Multiple Connector Options
- » Multiple Mounting Options
- » Multiple Color Options
- » Small Form Factor
- » Custom Gain Available
- » High Out-of-Band Rejection
- » BIT Technology (Passive)*

*Automated Built In Test (BIT)

The L1/L2 Passive Antenna includes BIT. The antenna can monitor the DC voltage on the center conductor to determine the status of the cable and antenna connection.



DURABLE, HI PRECISION, BUILT TO LAST

The L1/L2 Active and Passive GPS antennas from GPS Source are designed for long term reliability. The antennas are small and lightweight, with exceptional protection against the elements. Both are suitable for manpack, ground, marine, aircraft, and space applications, multiple GPS devices and operating platforms.

Designed to support the Warfighter, the portable, yet precise GPS L1/L2 antennas are built for tough applications. Their radome is made of high-grade polymer, with a design that prevents ice/snow buildup, protects antenna from UV, rain and lightning strikes, chemical and jet fuels.

QUALIFIED TO MILITARY STANDARDS

(Test Reports Available Upon Request)

- » Mechanical Vibration: 810G, Mtd 514.6
- » Functional Shock: 810G, Mtd 516.6
- » Crash Hazard: 810G, Mtd 516.6
- » Temp & Altitude: 810D, Mtd 520.0, Proc. III
- » Temperature Shock: 810D, Mtd 503.2, Proc. I
- » Humidity: 810D, Mtd 507.2, Proc. III
- » Salt Fog: 810D, Mtd 509.2, Proc. I
- » Fungus: 810D, Mtd 508.3
- » Sand & Dust: 810D, Mtd 510.2, Proc. I
- » Explosive Atmosphere: 810D, Mtd 511.2, Proc. I

www.gpssource.com

Veteran Owned Small Business
AS9100 & ISO 9001:2008 Certified
CCR Registered
CAGE: 1RTJ5
DUNS: 883995677
NAICS: 334220, 334290, 334511,
541330, 541690

L1/L2 Active & Passive GPS Antennas

L1L2-26A & L1L2-26P

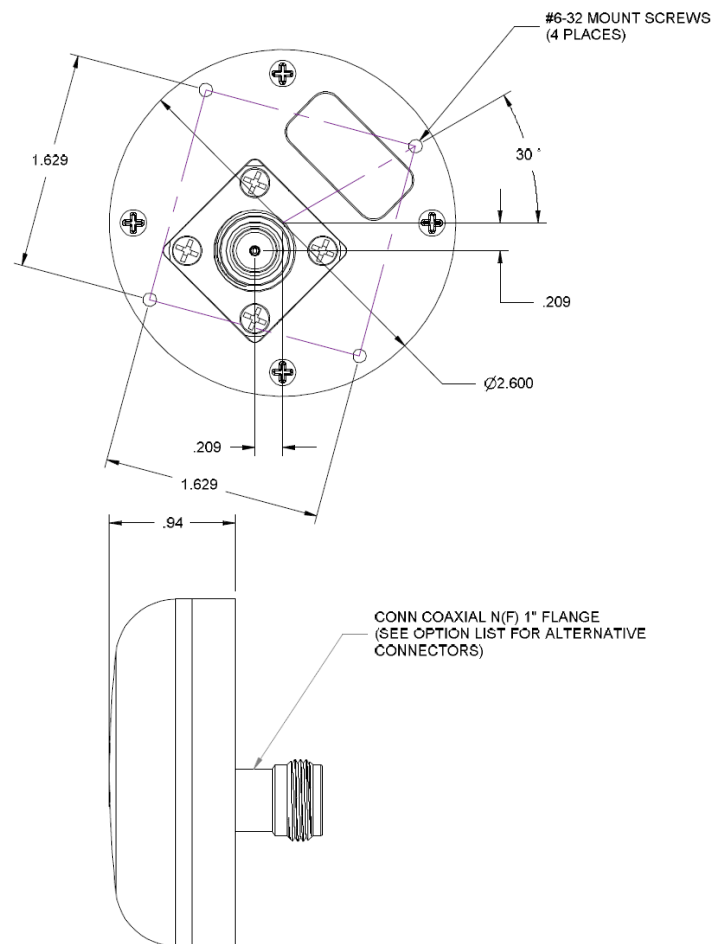
L1/L2 Mil Spec GPS Antenna

Operating Frequencies	L1 (1575.5MHz) typical Bandwidth +/- 10MHz L2 (1227.60MHz) Bandwidth +/- 10MHz
Polarization	RHCP
Element Gain (Active) at 4 ft G.P.	L1 3dBiC min. L2 3dBiC min.
Element Gain (Passive) at 4 ft G.P.	L1 3dBiC typical L2 3dBiC typical
LNA Gain (Active) Output = 50Ω	L1: 33dB typical L2: 33dB typical
Axial Ratio (Active)	2dB max
Axial Ratio (Passive)	2dB max
Out Impedence	50Ω
SWR	2.0:1 max
Temperature	-54°C to 71°C
Altitude	50,000 ft
Active Only	
LNA DC Power	5 - 16 VDC (35 mA max)
Noise Figure (Voltage=5V)	3dB max
LNA OP1dB Compression	13dBm typical
LNA OIP3	25dBm typical
Rejection @ +/- 50MHz	>12dB
Rejection @ +/- 100MHz	>42dB

L1/L2 Mil Spec GPS Antenna

Physical Specifications

Size	Diameter: 2.6" Height: .944"
Weight	6.4 oz
Base Finish	Iridite per Mil-C-5441
Connector	SMA(m,f), TNC(f), or N(m,f)



ABOUT US

GPS Source is an original equipment manufacturer (OEM) that designs, manufactures and sells high-precision GNSS/GPS technology for both Commercial & Defense Industries.

www.gpssource.com

