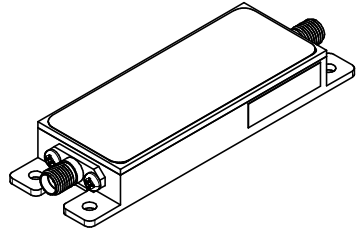
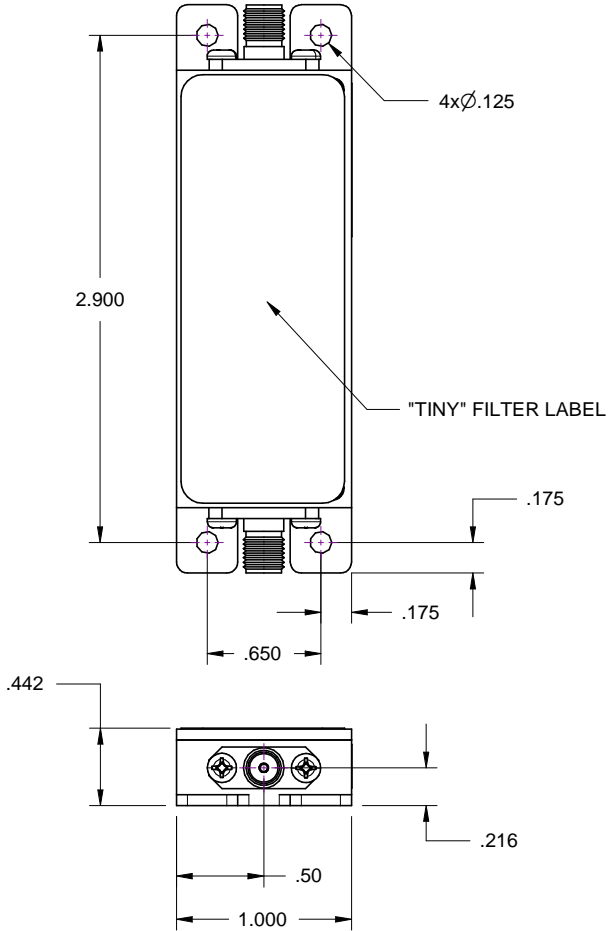
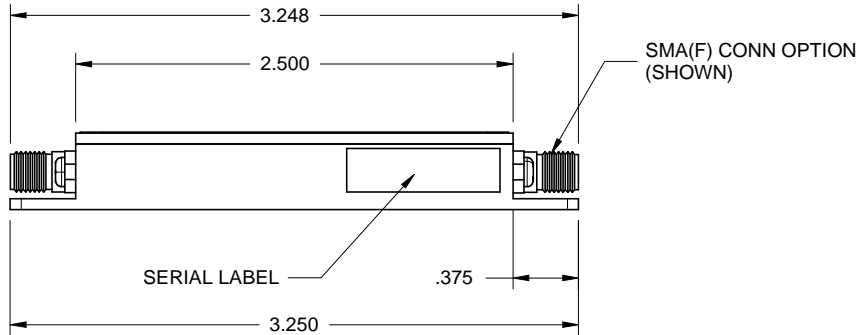


REVISIONS				
ZONE	REV	DESCRIPTION	DATE	APPROVED
	001	PRODUCTION RELEASE	04-05-10	DSD



ISOMETRIC VIEW
SCALE: 1 / 1.5



ALL MATERIALS AND FINISHES SHALL COMPLY WITH EUROPEAN UNION RESTRICTION OF HAZARDOUS SUBSTANCES. (RoHS)



DRAWN R STONE	DATE 04-05-10
CHECKED N SLOAN	DATE 04-05-10
APPROVED D DAWKINS	DATE 04-05-10

THE INFORMATION CONTAINED IN THIS DESIGN SET IS THE SOLE PROPERTY OF GPS SOURCE. USE OF THIS DESIGN IS RESERVED EXCLUSIVELY FOR SAID COMPANY. REPRODUCTION OR DISTRIBUTION OF ANY PORTION OF DESIGN IS FORBIDDEN WITHOUT THE EXPRESS WRITTEN CONSENT OF GPS SOURCE.			
TITLE FFL L1FT PASS FILT NORM REJ TINY HSNQ			
SIZE A	DWG FILE NAME 031-FFL-ABT-CCX-AGZ		REV 001
SCALE 1 / 1	GPS SOURCE PART NUMBER FFL-ABT-CCX-AGZ		SHEET 1 OF 1